

BLOCK DIAGRAM

<http://receiverfaq.ru/>

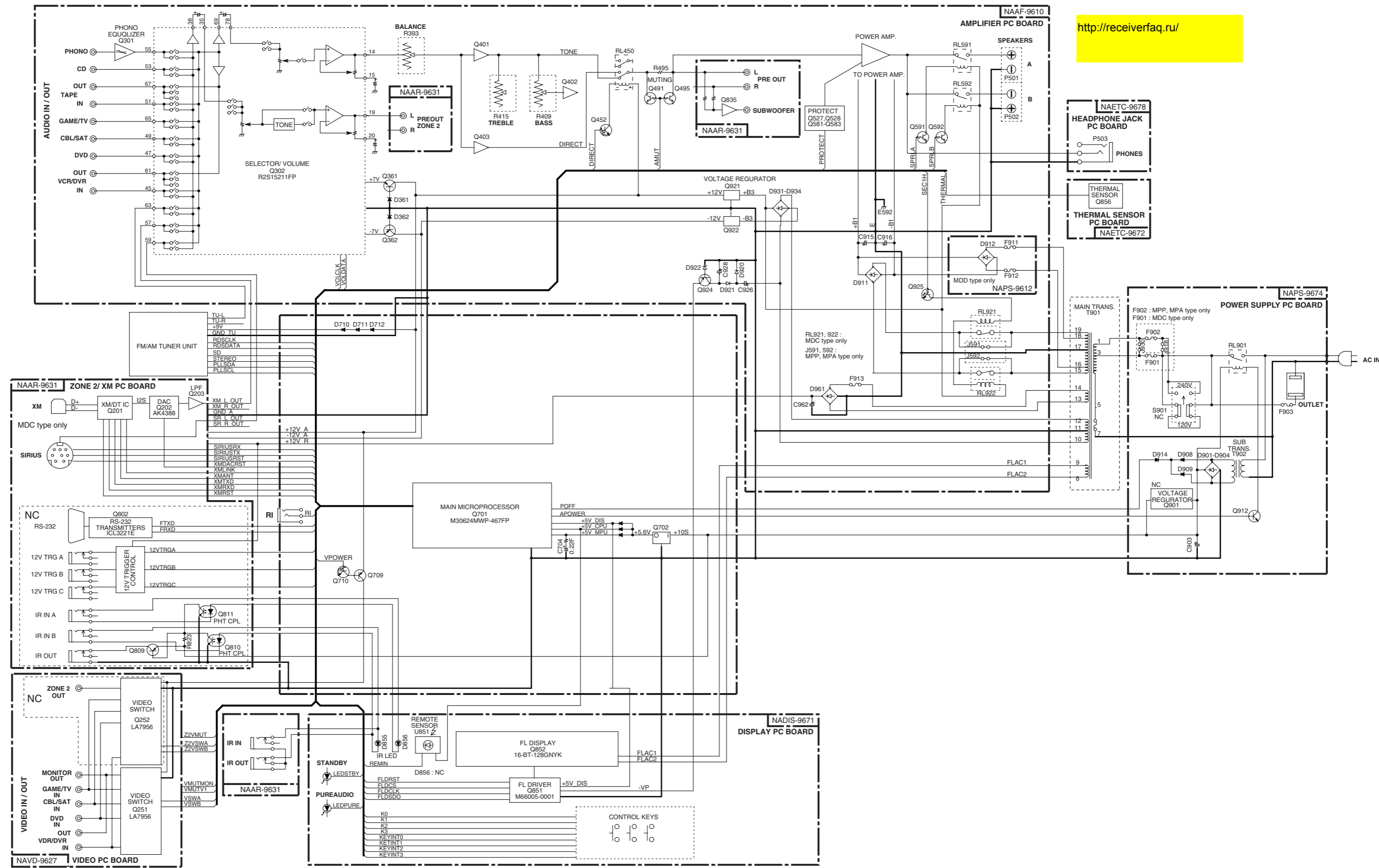
1

2

3

4

5



SCHEMATIC DIAGRAMS-1 (SD-1)

NAAF-9610 U01

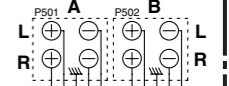
AMPLIFIER PC BOARD

Q401, 403 : NJM2068L-D

Q491, 492, Q495, 496 : RN1241-A

Q501-504 : 2SC2240-BL
 Q505, 506 : 2SC2240-GR, BL
 Q507-510, 513, 514 : 2SA949-Y
 Q515, 516 : 2SC2229-Y
 Q517, 518 : 2SC5171
 Q519, 520 : 2SA1930
 Q527, 528 : 2SC2229-Y, -O
 Q529, 530 : 2SC2458-GR, BL
 Q531-534 : 2SC1740S-S
 Q521, 522 : 2SC5200
 Q523, 524 : 2SA1943

SPEAKERS



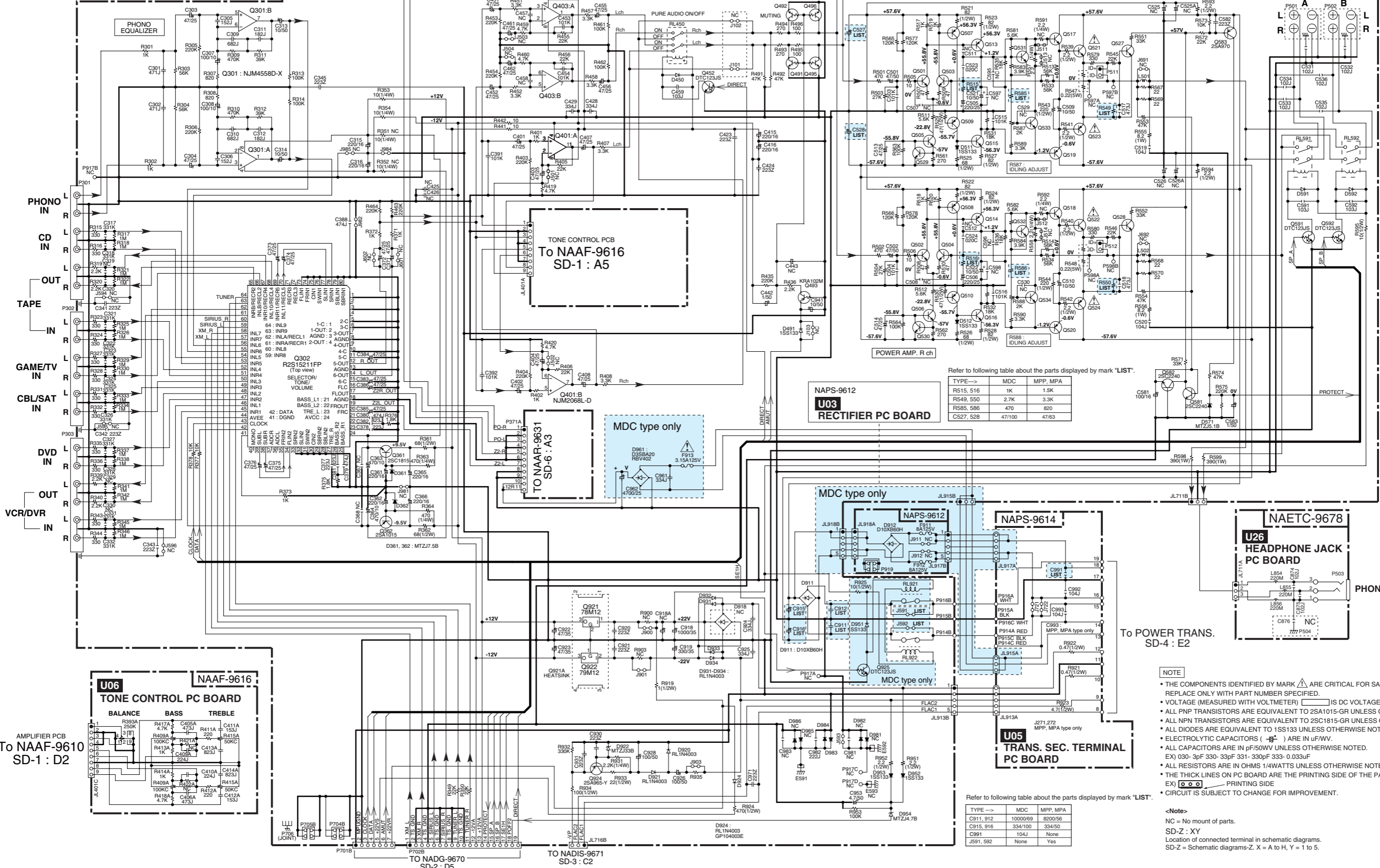
1

2

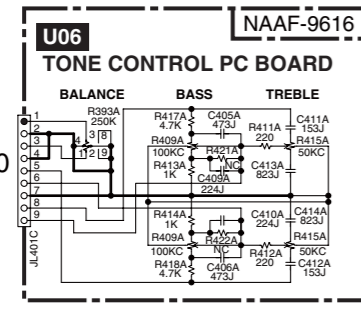
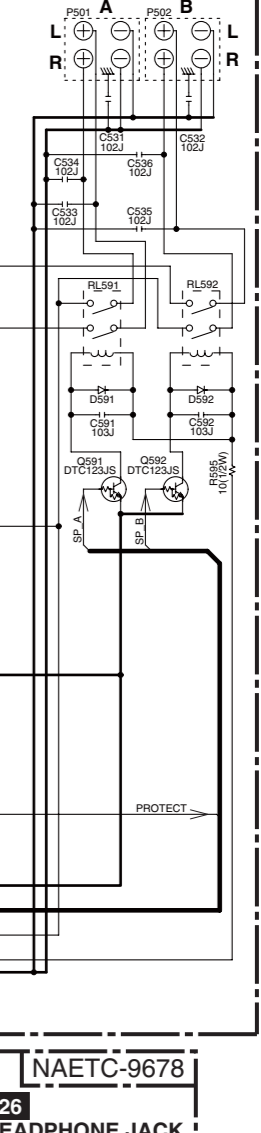
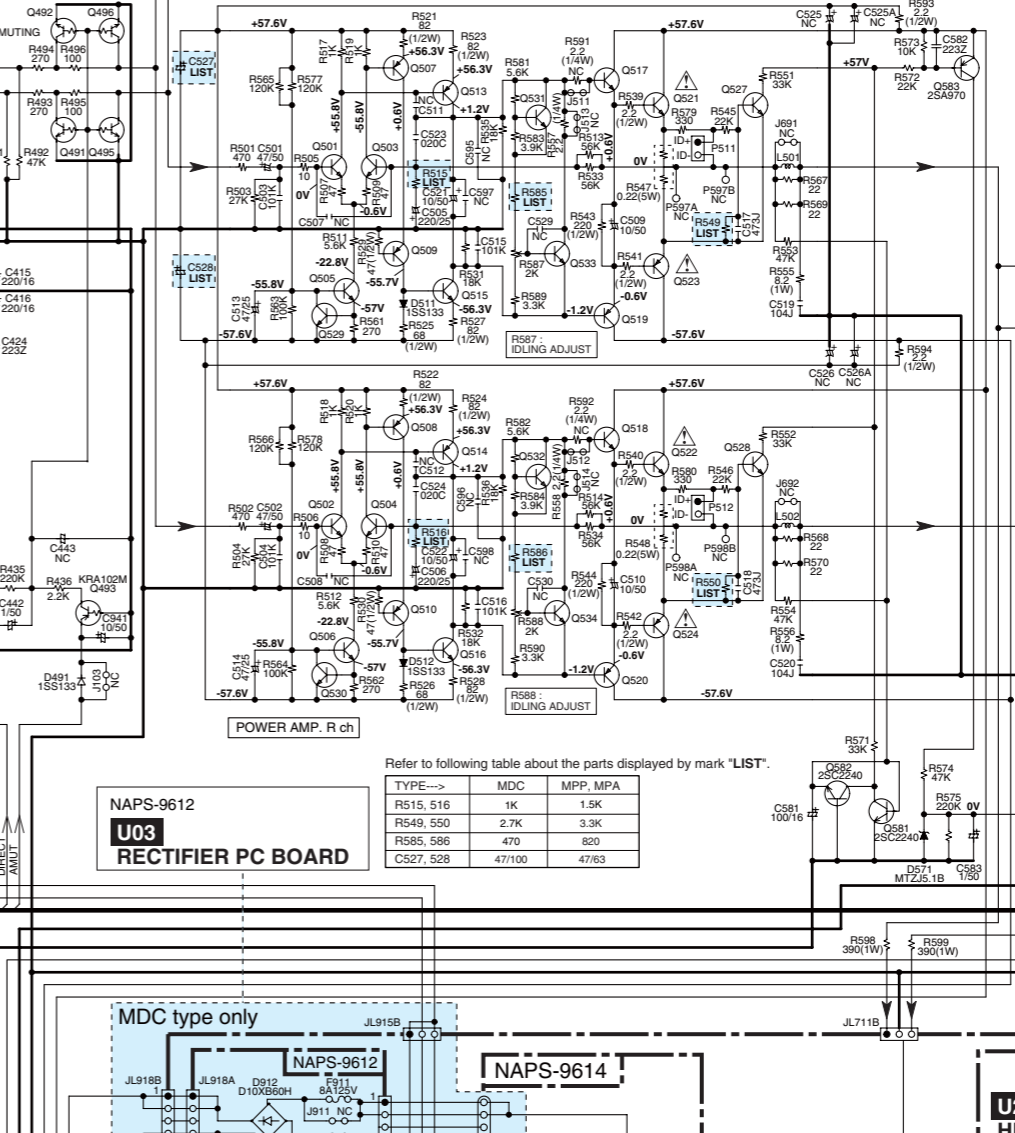
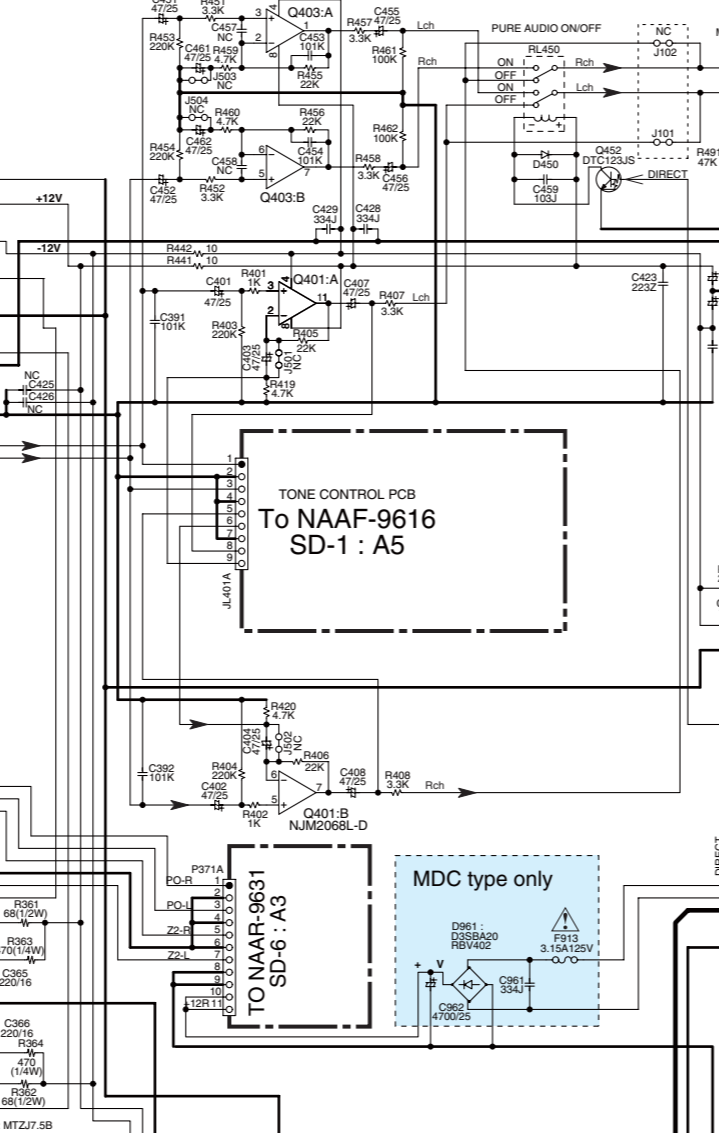
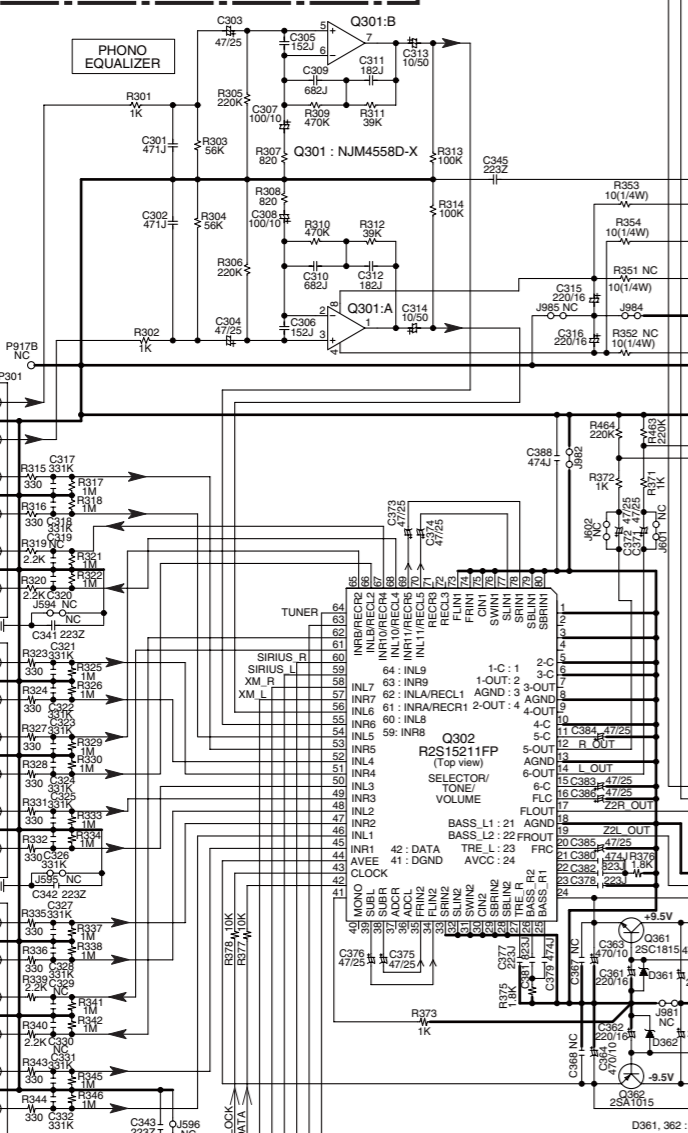
3

4

5



- PHONO IN
- CD IN
- TAPE IN
- GAME/TV IN
- CBL/SAT IN
- DVD IN
- VCR/DVR IN



AMPLIFIER PCB To NAAF-9610 SD-1 : D2

TO NADG-9670 SD-2 : D5

TO NADIS-9671 SD-3 : C2

NAPS-9612 U03 RECTIFIER PC BOARD

Refer to following table about the parts displayed by mark "LIST".

TYPE-->	MDC	MPP, MPA
R515, 516	1K	1.5K
R549, 550	2.7K	3.3K
R585, 586	470	820
C527, 528	47/100	47/63

NAPS-9612 U03 RECTIFIER PC BOARD

Refer to following table about the parts displayed by mark "LIST".

TYPE -->	MDC	MPP, MPA type only
C911, 912	10000/69	8200/56
C915, 916	334/100	334/50
C991	104J	None
J591, 592	None	Yes

- NOTE**
- THE COMPONENTS IDENTIFIED BY MARK Δ ARE CRITICAL FOR SAFETY. REPLACE ONLY WITH PART NUMBER SPECIFIED.
 - VOLTAGE (MEASURED WITH VOLTMETER) [] IS DC VOLTAGE. (NO INPUT SIGNAL).
 - ALL PNP TRANSISTORS ARE EQUIVALENT TO 2SA1015-GR UNLESS OTHERWISE NOTED.
 - ALL NPN TRANSISTORS ARE EQUIVALENT TO 2SC1815-GR UNLESS OTHERWISE NOTED.
 - ALL DIODES ARE EQUIVALENT TO 1SS133 UNLESS OTHERWISE NOTED.
 - ELECTROLYTIC CAPACITORS (Δ) ARE IN uF/WV.
 - ALL CAPACITORS ARE IN pF/50WV UNLESS OTHERWISE NOTED.
 - EX) 030-3pF 330-33pF 331-330pF 333-0.03uF
 - ALL RESISTORS ARE IN OHMS 1/4Watts UNLESS OTHERWISE NOTED.
 - THE THICK LINES ON PC BOARD ARE THE PRINTING SIDE OF THE PARTS.
 - EX) [] PRINTING SIDE
 - CIRCUIT IS SUBJECT TO CHANGE FOR IMPROVEMENT.

<Note>
 NC = No mount of parts.
 SD-Z : XY
 Location of connected terminal in schematic diagrams.
 SD-Z = Schematic diagrams-Z. X = A to H, Y = 1 to 5.

SCHEMATIC DIAGRAMS-2 (SD-2) MICROPROCESSOR SECTION

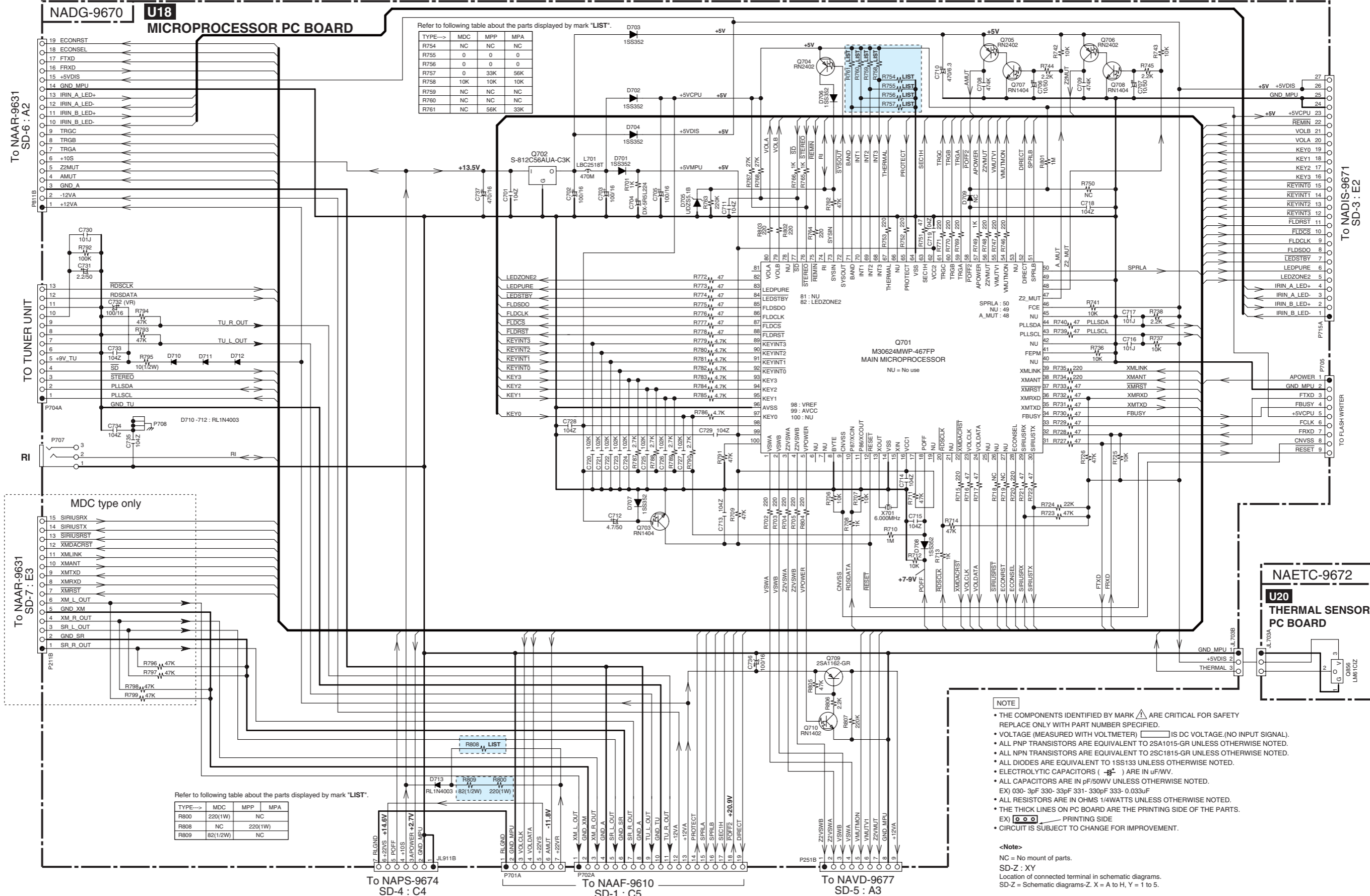
1

2

3

4

5



NOTE

- THE COMPONENTS IDENTIFIED BY MARK Δ ARE CRITICAL FOR SAFETY. REPLACE ONLY WITH PART NUMBER SPECIFIED.
- VOLTAGE (MEASURED WITH VOLTMETER) \square IS DC VOLTAGE (NO INPUT SIGNAL).
- ALL PNP TRANSISTORS ARE EQUIVALENT TO 2SA1015-GR UNLESS OTHERWISE NOTED.
- ALL NPN TRANSISTORS ARE EQUIVALENT TO 2SC1815-GR UNLESS OTHERWISE NOTED.
- ALL DIODES ARE EQUIVALENT TO 1SS133 UNLESS OTHERWISE NOTED.
- ELECTROLYTIC CAPACITORS (---) ARE IN $\mu\text{F}/\text{V}$.
- ALL CAPACITORS ARE IN $\text{pF}/50\text{V}$ UNLESS OTHERWISE NOTED.
- EX) 030-3pF 330-33pF 331-330pF 333-0.033 μF
- ALL RESISTORS ARE IN OHMS 1/4WATTS UNLESS OTHERWISE NOTED.
- THE THICK LINES ON PC BOARD ARE THE PRINTING SIDE OF THE PARTS.
- EX) \square PRINTING SIDE
- CIRCUIT IS SUBJECT TO CHANGE FOR IMPROVEMENT.

<Note>
 NC = No mount of parts.
 SD-Z : XY
 Location of connected terminal in schematic diagrams.
 SD-Z = Schematic diagrams-Z. X = A to H, Y = 1 to 5.

A

B

C

D

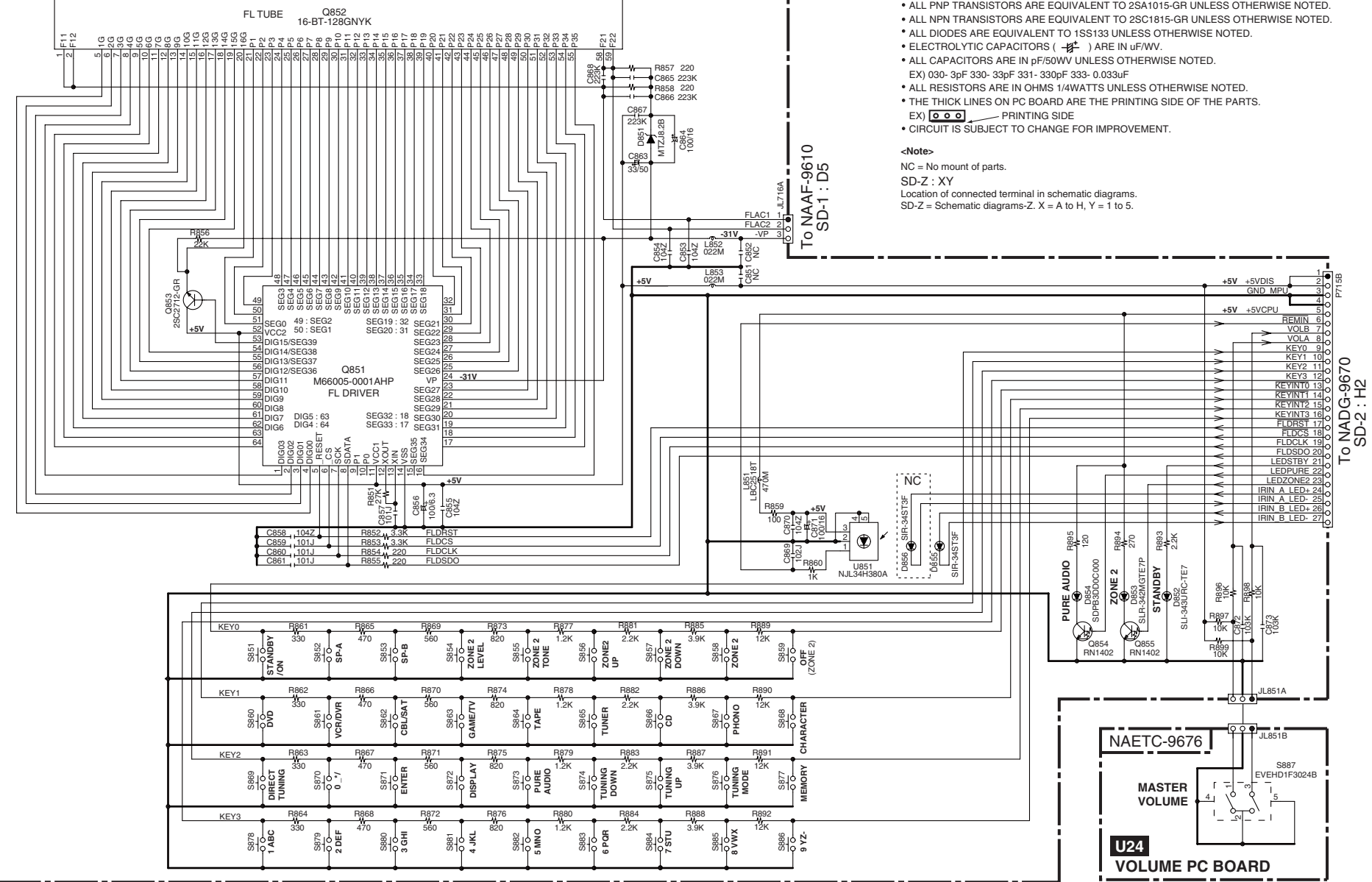
E

SCHEMATIC DIAGRAMS-3 (SD-3) DISPLAY SECTION

NADIS-9671

U19

DISPLAY PC BOARD



NOTE

- THE COMPONENTS IDENTIFIED BY MARK Δ ARE CRITICAL FOR SAFETY. REPLACE ONLY WITH PART NUMBER SPECIFIED.
- VOLTAGE (MEASURED WITH VOLTMETER) \square IS DC VOLTAGE. (NO INPUT SIGNAL).
- ALL PNP TRANSISTORS ARE EQUIVALENT TO 2SA1015-GR UNLESS OTHERWISE NOTED.
- ALL NPN TRANSISTORS ARE EQUIVALENT TO 2SC1815-GR UNLESS OTHERWISE NOTED.
- ALL DIODES ARE EQUIVALENT TO 1SS133 UNLESS OTHERWISE NOTED.
- ELECTROLYTIC CAPACITORS (---) ARE IN $\mu\text{F/WV}$.
- ALL CAPACITORS ARE IN pF/50WV UNLESS OTHERWISE NOTED.
- EX) 030-3pF 330-33pF 331-330pF 333-0.033uF
- ALL RESISTORS ARE IN OHMS 1/4WATTS UNLESS OTHERWISE NOTED.
- THE THICK LINES ON PC BOARD ARE THE PRINTING SIDE OF THE PARTS.
- EX) \square PRINTING SIDE
- CIRCUIT IS SUBJECT TO CHANGE FOR IMPROVEMENT.

<Note>

NC = No mount of parts.
 SD-Z : XY
 Location of connected terminal in schematic diagrams.
 SD-Z = Schematic diagrams-Z. X = A to H, Y = 1 to 5.

1

2

3

4

To NADG-9670
SD-2 : H2

NAETC-9676

MASTER VOLUME

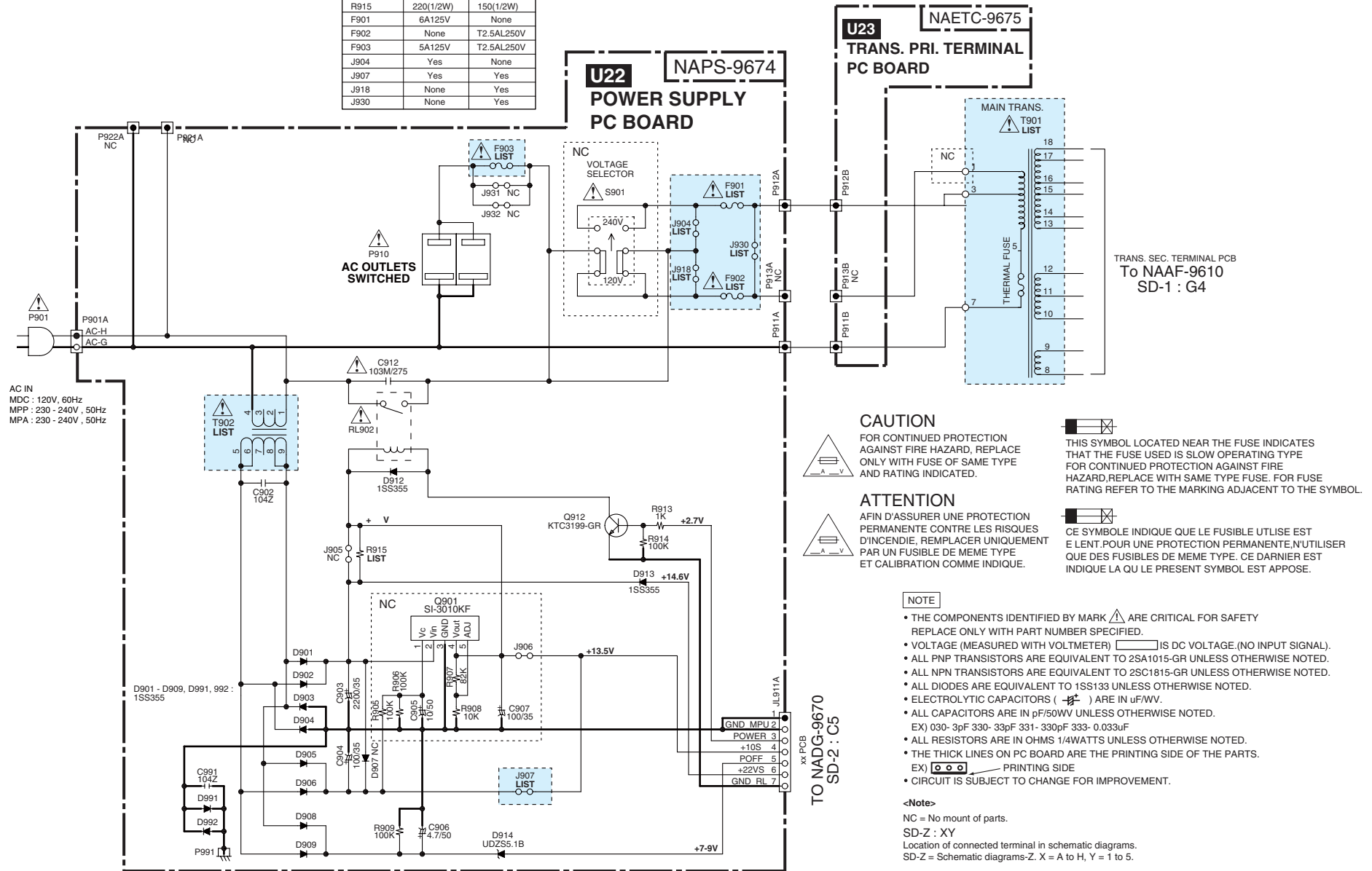
U24
VOLUME PC BOARD

SCHEMATIC DIAGRAMS-4 (SD-4)

POWER SUPPLY SECTION

Refer to following table about the parts displayed by mark "LIST".

TYPE-->	MDD	MPP, MPA
T901	NPT-1575D	NPT-1575P
T902	NPT-1520JQ	NPT-1520GQ
R915	220(1/2W)	150(1/2W)
F901	6A125V	None
F902	None	T2.5AL250V
F903	5A125V	T2.5AL250V
J904	Yes	None
J907	Yes	Yes
J918	None	Yes
J930	None	Yes



CAUTION



FOR CONTINUED PROTECTION AGAINST FIRE HAZARD, REPLACE ONLY WITH FUSE OF SAME TYPE AND RATING INDICATED.



THIS SYMBOL LOCATED NEAR THE FUSE INDICATES THAT THE FUSE USED IS SLOW OPERATING TYPE FOR CONTINUED PROTECTION AGAINST FIRE HAZARD. REPLACE WITH SAME TYPE FUSE. FOR FUSE RATING REFER TO THE MARKING ADJACENT TO THE SYMBOL.

ATTENTION



AFIN D'ASSURER UNE PROTECTION PERMANENTE CONTRE LES RISQUES D'INCENDIE, REMPLACER UNIQUEMENT PAR UN FUSIBLE DE MEME TYPE ET CALIBRATION COMME INDIQUE.



CE SYMBOLE INDIQUE QUE LE FUSIBLE UTILISE EST LENT. POUR UNE PROTECTION PERMANENTE, UTILISER QUE DES FUSIBLES DE MEME TYPE. CE DERNIER EST INDIQUE LA QU LE PRESENT SYMBOLE EST APPOSE.

NOTE

- THE COMPONENTS IDENTIFIED BY MARK ARE CRITICAL FOR SAFETY. REPLACE ONLY WITH PART NUMBER SPECIFIED.
- VOLTAGE (MEASURED WITH VOLTMETER) IS DC VOLTAGE. (NO INPUT SIGNAL).
- ALL PNP TRANSISTORS ARE EQUIVALENT TO 2SA1015-GR UNLESS OTHERWISE NOTED.
- ALL NPN TRANSISTORS ARE EQUIVALENT TO 2SC1815-GR UNLESS OTHERWISE NOTED.
- ALL DIODES ARE EQUIVALENT TO 1SS133 UNLESS OTHERWISE NOTED.
- ELECTROLYTIC CAPACITORS () ARE IN uF/WV.
- ALL CAPACITORS ARE IN pF/50V UNLESS OTHERWISE NOTED.
EX) 030- 3pF 330- 33pF 331- 330pF 333- 0.033uF
- ALL RESISTORS ARE IN OHMS 1/4WATTS UNLESS OTHERWISE NOTED.
- THE THICK LINES ON PC BOARD ARE THE PRINTING SIDE OF THE PARTS.
EX) PRINTING SIDE
- CIRCUIT IS SUBJECT TO CHANGE FOR IMPROVEMENT.

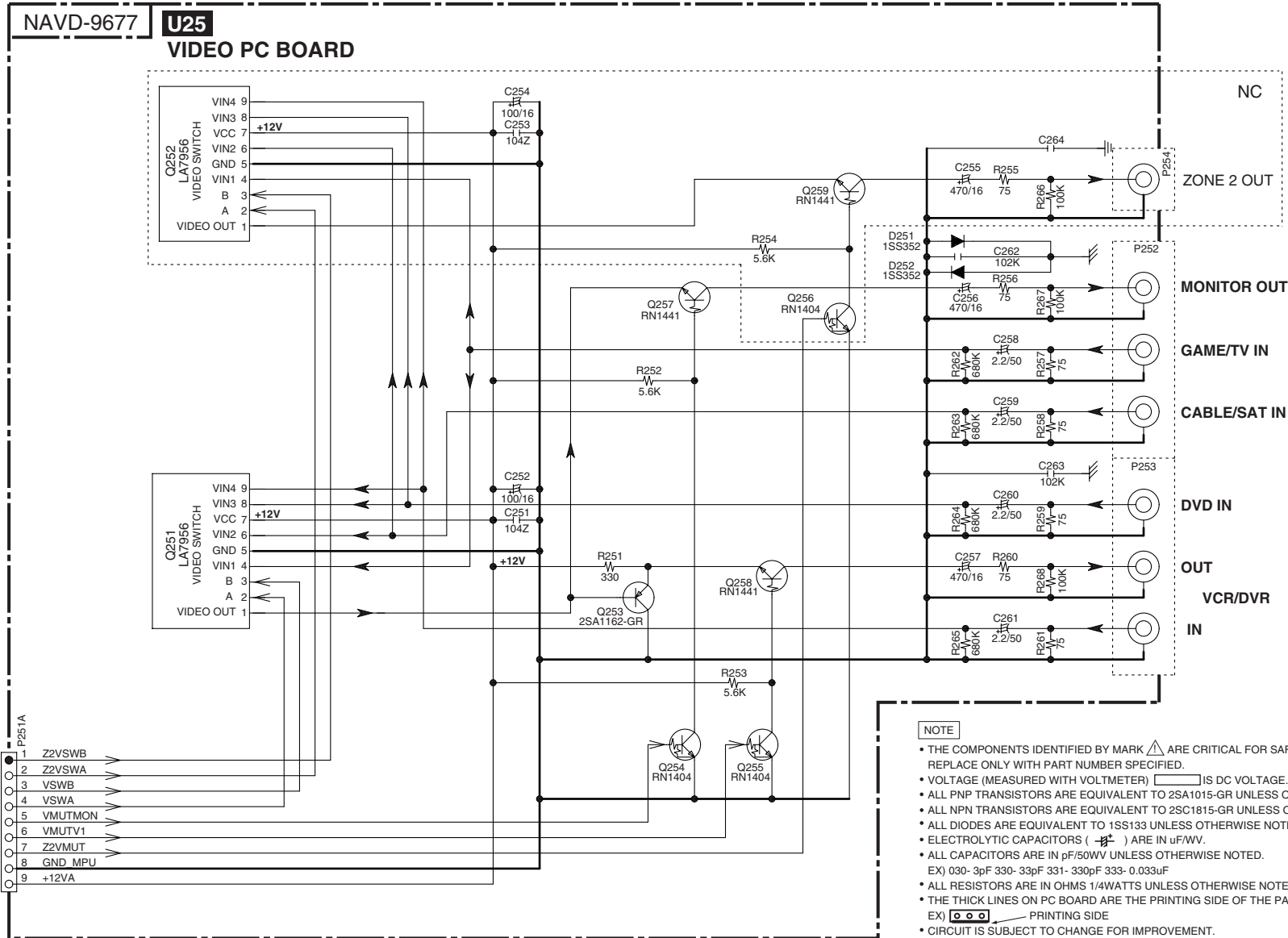
<Note>

NC = No mount of parts.
SD-Z : XY
Location of connected terminal in schematic diagrams.
SD-Z = Schematic diagrams-Z. X = A to H, Y = 1 to 5.

TO NADG-9670
SD-2 : C5

SCHEMATIC DIAGRAMS-5 (SD-5)
VIDEO SECTION

1
2
3
4



NOTE

- THE COMPONENTS IDENTIFIED BY MARK Δ ARE CRITICAL FOR SAFETY. REPLACE ONLY WITH PART NUMBER SPECIFIED.
- VOLTAGE (MEASURED WITH VOLTMETER) \square IS DC VOLTAGE (NO INPUT SIGNAL).
- ALL PNP TRANSISTORS ARE EQUIVALENT TO 2SA1015-GR UNLESS OTHERWISE NOTED.
- ALL NPN TRANSISTORS ARE EQUIVALENT TO 2SC1815-GR UNLESS OTHERWISE NOTED.
- ALL DIODES ARE EQUIVALENT TO 1SS133 UNLESS OTHERWISE NOTED.
- ELECTROLYTIC CAPACITORS (\square) ARE IN μ F/WV.
- ALL CAPACITORS ARE IN pF/50WV UNLESS OTHERWISE NOTED.
EX) 030-3pF 330-33pF 331-330pF 333-0.033 μ F
- ALL RESISTORS ARE IN OHMS 1/4Watts UNLESS OTHERWISE NOTED.
- THE THICK LINES ON PC BOARD ARE THE PRINTING SIDE OF THE PARTS.
EX) \square PRINTING SIDE
- CIRCUIT IS SUBJECT TO CHANGE FOR IMPROVEMENT.

<Note>
NC = No mount of parts.
SD-Z : XY
Location of connected terminal in schematic diagrams.
SD-Z = Schematic diagrams-Z. X = A to H, Y = 1 to 5.

A

B

C

D

E

SCHEMATIC DIAGRAMS-6 (SD-6)

ZONE 2 SECTION

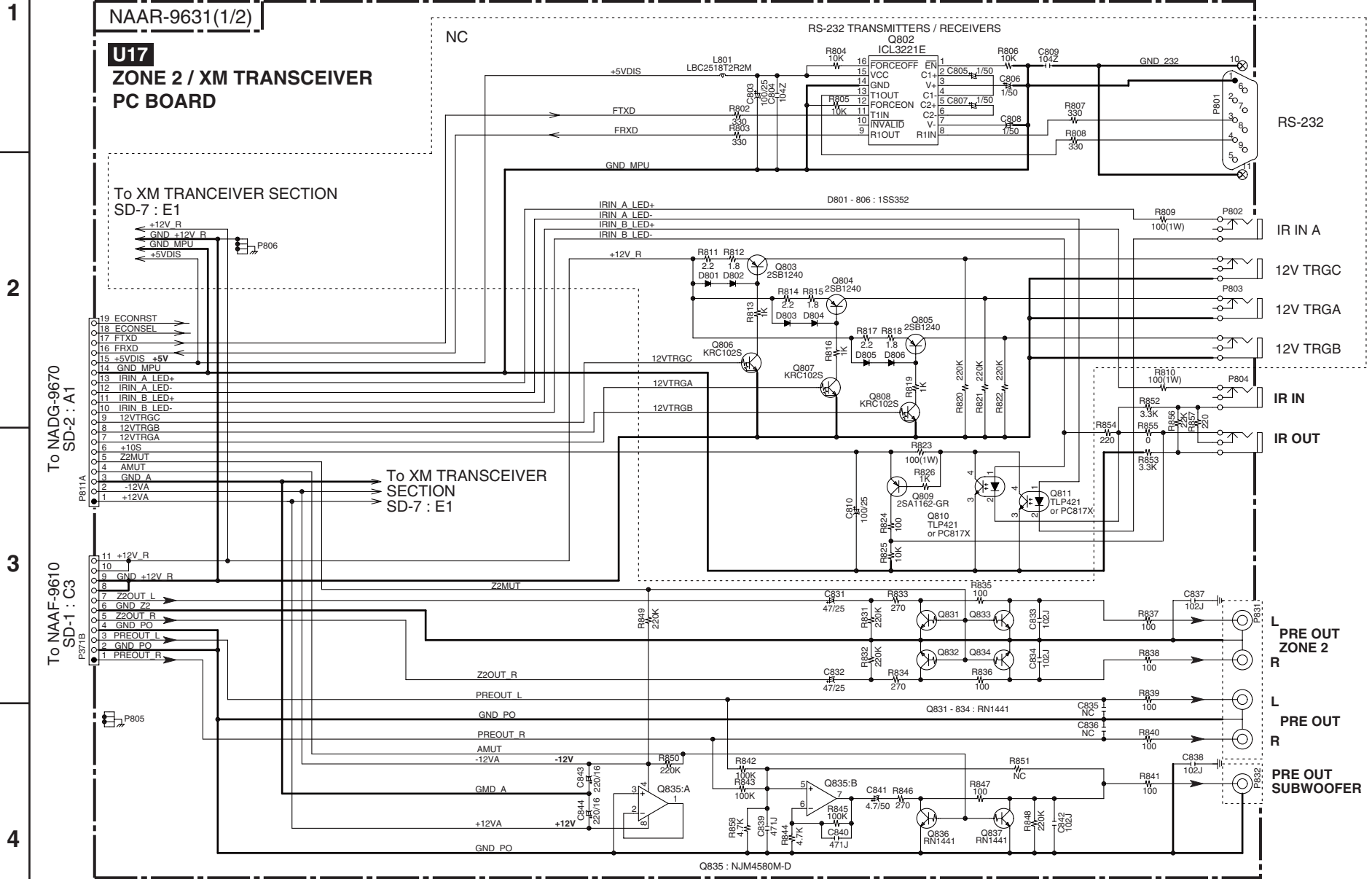
<Note>

NC = No mount of parts.

SD-Z : XY

Location of connected terminal in schematic diagrams.

SD-Z = Schematic diagrams-Z. X = A to H, Y = 1 to 5.



A

B

C

D

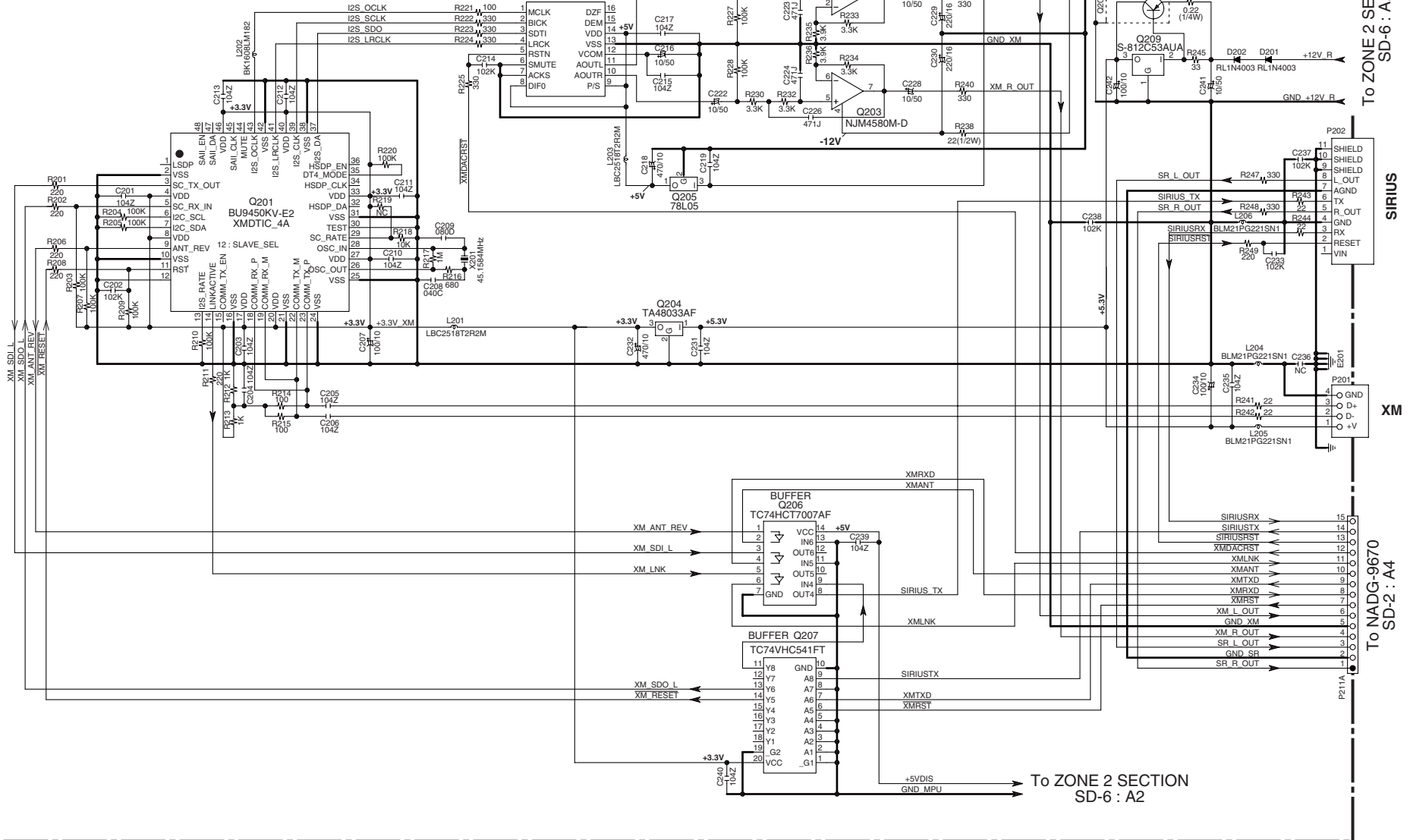
E

SCHEMATIC DIAGRAMS-7 (SD-7) XM TRANCEIVER SECTION

<Note>
NC = No mount of parts.
SD-Z : XY
Location of connected terminal in schematic diagrams.
SD-Z = Schematic diagrams-Z. X = A to H, Y = 1 to 5.

NAAR-9631 (2/2)

U17
ZONE 2 / XM TRANCEIVER PC BOARD



To ZONE 2 SECTION
SD-6 : A2

SIRIUS

XM

To NADG-9670
SD-2 : A4

To ZONE 2 SECTION
SD-6 : A2